

# Straight Strain Relief Backshell

4LV33/B2



## Quick Tip

### Standard Strain Relief for Indoor Use Only

Provides minimum strain relief protection required by all cable plugs or cable connecting receptacles. Use self-locking design for high vibration environments. Upgrade to environmental EMI/RFI shielded backshells for outdoor, harsh environment, and mission critical applications.

**4LV33/B2 S 25 N**

- 1 **BASIC PART NUMBER**  
4LV33/B2 Straight Strain Relief Backshell
- 2 **SELF-LOCKING**  
N Normal  
S Self-Locking
- 3 **SHELL SIZE**  
See Table 1
- 4 **MATERIAL & FINISH**  
A Aluminum, Black Anodize (Non-Self-locking Only)  
N Aluminum, Electroless Nickel  
W Aluminum, Olive Drab  
S Stainless Steel, Passivated (Self-Locking Only)

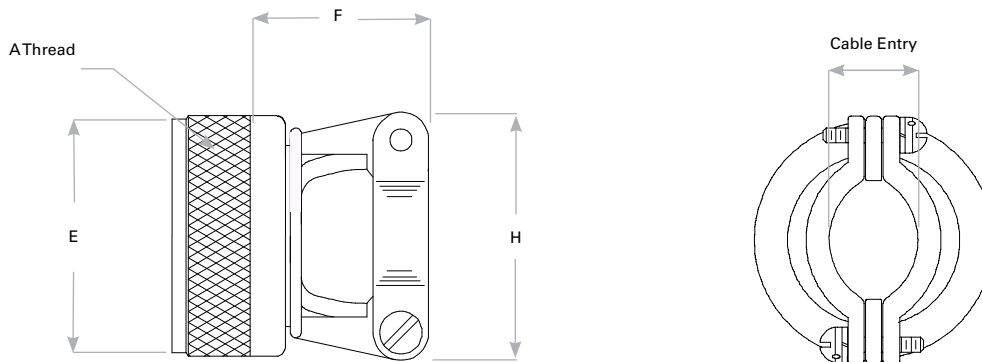
## Compatible Series

<b>MIL-DTL-38999 Series III</b>	D38999/20, D38999/23, D38999/24, D38999/26
<b>MIL-DTL-38999 Series IV</b>	D38999/40, D38999/43, D38999/44, D38999/46, D38999/48
<b>Amphenol TV Series</b>	TVP00, TV06, TV07, TVS07
<b>Deutsch DTS Series</b>	DTS20, DTS24, DTS26
<b>ITT Cannon KJA Series</b>	KJA0T, KJA7T, KJA6T

**Table 1**

Shell Size	Military Shell Size	A Thread Class 2B	E Dia. Max	F Max	H Max	Cable Entry	
						Min	Max
9	A	M12 X 1-6H	.858 (21.8)	.91 (23.1)	.85 (21.6)	.098 (2.5)	.234 (5.9)
11	B	M15 X 1-6H	.984 (25.0)	.91 (23.1)	.90 (22.9)	.153 (3.9)	.234 (5.9)
13	C	M18 X 1-6H	1.157 (29.4)	1.01 (25.7)	1.10 (27.9)	.190 (4.8)	.328 (8.3)
15	D	M22 X 1-6H	1.279 (32.5)	1.06 (26.9)	1.15 (29.2)	.260 (6.6)	.457 (11.6)
17	E	M25 X 1-6H	1.406 (35.7)	1.16 (29.5)	1.30 (33.0)	.283 (7.2)	.614 (15.6)
19	F	M28 X 1-6H	1.516 (38.5)	1.41 (35.8)	1.50 (38.1)	.325 (8.3)	.634 (16.1)
21	G	M31 X 1-6H	1.642 (41.7)	1.51 (38.4)	1.60 (40.6)	.343 (8.7)	.698 (17.7)
23	H	M34 X1- 6H	1.768 (44.9)	1.66 (42.2)	1.70 (43.2)	.381 (9.7)	.823 (20.9)
25	J	M37 X1- 6H	1.889 (48.0)	1.76 (44.7)	1.80 (45.7)	.418 (10.6)	.853 (21.7)

Dimensions are in inches, (mm)



**Note:** Screw orientation shown is for non-self-locking configuration. Screws on self-locking configurations are on the same side/face of the clamp.