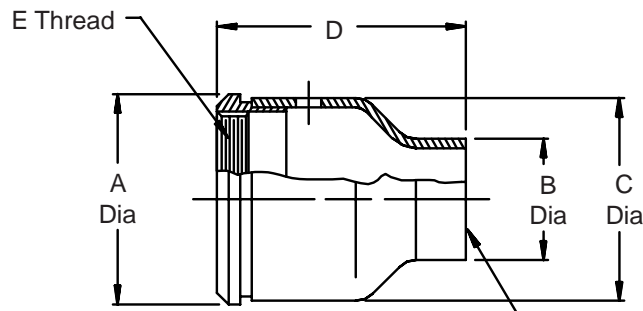


# AS85049/33-1 Adapter, Non-Environmental, RFI

MIL-DTL-38999  
Series I & II

**M85049/33-1-8**  
Basic Part No. \_\_\_\_\_ Dash No. \_\_\_\_\_



Entrance Configuration to Accomodate  
M85049/32-2 (Page 68-9)  
Adapter Reducer

**TABLE I**

Dash No.	Shell Size		A Dia Max	B Dia Max	C Dia Max	D Max	E Thread Class 2B
	Series I	Series II					
8	9	8	.594 (15.1)	.359 (9.1)	.516 (13.1)	.844 (21.4)	.4375 - 28 UNEF
10	11	10	.719 (18.3)	.406 (10.3)	.641 (16.3)	.969 (24.6)	.5625 - 24 UNEF
12	13	12	.844 (21.4)	.500 (12.7)	.766 (19.5)	1.094 (27.8)	.6875 - 24 UNEF
14	15	14	.969 (24.6)	.578 (14.7)	.891 (22.6)	1.156 (29.4)	.8125 - 20 UNEF
16	17	16	1.094 (27.8)	.641 (16.3)	1.016 (25.8)	1.219 (31.0)	.9375 - 20 UNEF
18	19	18	1.219 (31.0)	.688 (17.5)	1.141 (29.0)	1.344 (34.1)	1.0625 - 18 UNEF
20	21	20	1.344 (34.1)	.734 (18.6)	1.265 (32.1)	1.469 (37.3)	1.1875 - 18 UNEF
22	23	22	1.469 (37.3)	.796 (20.2)	1.391 (35.3)	1.594 (40.5)	1.3125 - 18 UNEF
24	25	24	1.594 (40.5)	.859 (21.8)	1.516 (38.5)	1.719 (43.7)	1.4375 - 18 UNEF

1. For complete dimensions see applicable Military Specification.
2. Metric dimensions (mm) are indicated in parentheses.
3. Material: Copper alloy. Finish: Tin-lead solder plate.