

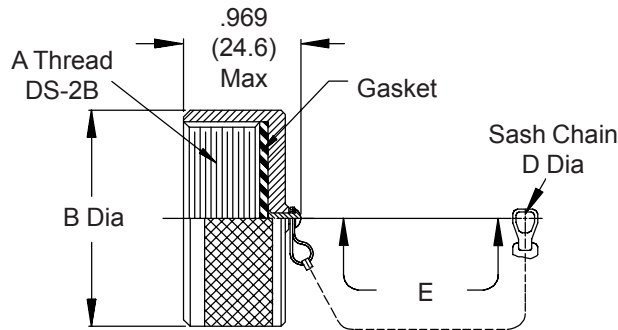
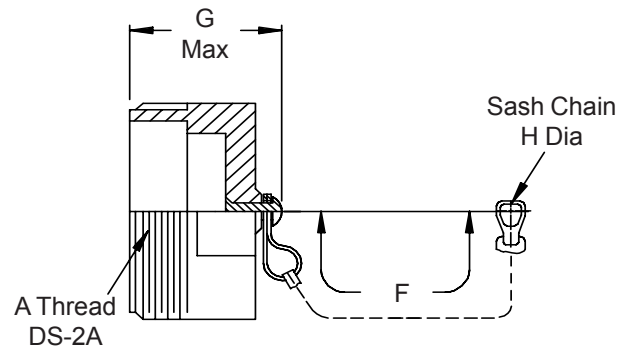
MIL-C-22992

**MS90563-1 N**

Basic Part No. \_\_\_\_\_  
 MS90563 = Receptacle Cover  
 MS90564 = Plug Cover

Finish  
 C = Conductive  
 N = Non-Conductive

Dash No. \_\_\_\_\_


**MS90563 Receptacle Cover**

**MS90564 Plug Cover**
**TABLE I - MS90563**

Dash No.	Shell Size	A Thread	B Dia Max	D Dia	E Chain Length
1	28	2.000-.1428P-.2857L	2.219 (56.4)	.164 (4.2)	6.000 (152.4)
3	32	2.250-.1428P-.2857L	2.469 (62.7)	.190 (4.8)	4.500 (114.3)
4	32	2.250-.1428P-.2857L	2.469 (62.7)	.190 (4.8)	6.000 (152.4)
7	44	3.000-.1428P-.2857L	3.219 (81.8)	.250 (6.4)	7.500 (190.5)
9	48	3.250-.1428P-.2857L	3.469 (88.1)	.250 (6.4)	7.500 (190.5)
11	52	3.500-.1428P-.2857L	3.750 (95.3)	.250 (6.4)	7.500 (190.5)

**TABLE II - MS90564**

Dash No.	Shell Size	A Thread	F Chain Length	G Max	G Dia
1	28	2.000-.1428P-.2857L	7.500 (190.5)	2.266 (57.6)	.164 (4.2)
3	32	2.250-.1428P-.2857L	6.000 (152.4)	2.266 (57.6)	.164 (4.2)
4	32	2.250-.1428P-.2857L	7.500 (190.5)	2.266 (57.6)	.164 (4.2)
7	44	3.000-.1428P-.2857L	8.500 (215.9)	2.484 (63.1)	.250 (6.4)
9	48	3.250-.1428P-.2857L	8.500 (215.9)	2.484 (63.1)	.250 (6.4)
11	52	3.500-.1428P-.2857L	8.500 (215.9)	2.484 (63.1)	.250 (6.4)

1. For complete dimensions see applicable Military Specification.
2. Metric dimensions (mm) are indicated in parentheses.