

M83513/16-B03CT Connectors

Mil-Spec 90 Degree PCB Micro-D Connector

General Specifications

Shell And Contact Style: M83513/16 - Right Angle Pin Connector
Contact Arrangement: B - 15 Contacts
PC Tail Length: 03 - .172 inches (4.37 mm)
Finish: C - Aluminum, Cadmium Plating
Hardware: T - Threaded Insert in Board Mount Hole (No Jackposts)

Rear View



Front View



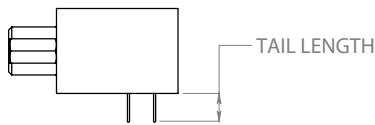
Photographs are for illustrative purposes only.
Actual configuration and finish may be different

MIL-SPEC

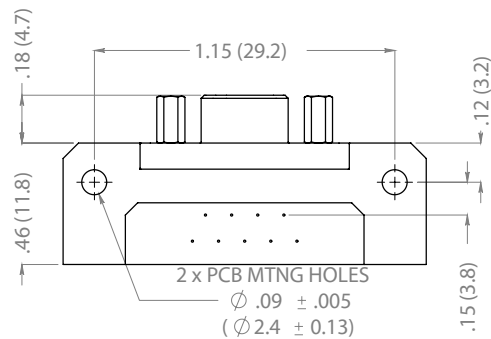
PCB Mounted 90-Degree Angle Left View



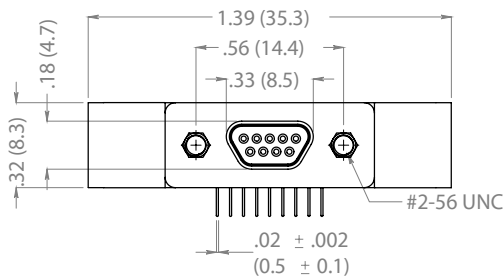
PCB Mounted 90-Degree Side View



PCB Mounted 90-Degree Top View



PCB Mounted 90-Degree End View



Alvatek Stock Number: 4LC-ABB5-EA

[Click to Buy!](#)

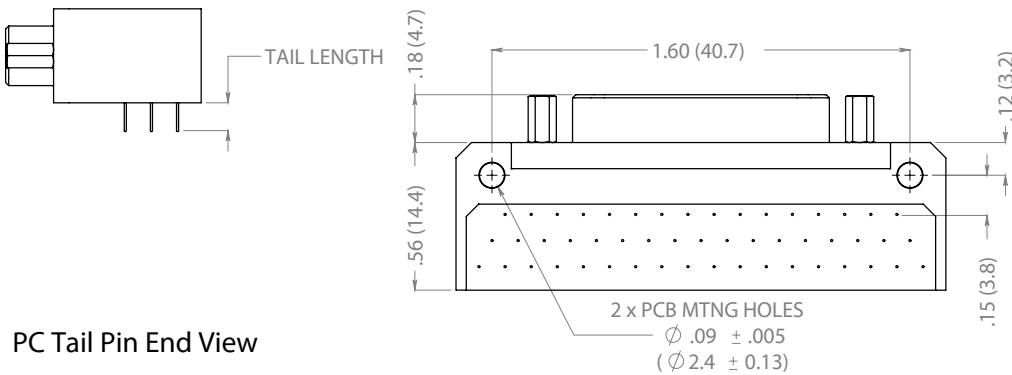
www.alvatek.com • 1-888-965-7278 • sales@alvatek.com

Layout

Layout	Number of Contacts	Contact Type
15P	15	Pins

PC Tail Pin Side View

PC Tail Pin Top View



PC Tail Pin End View

