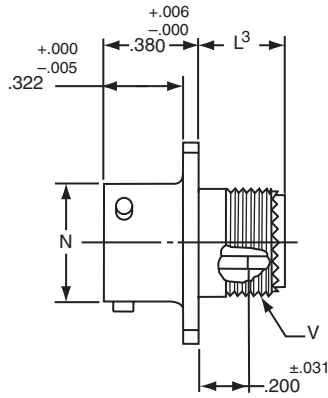
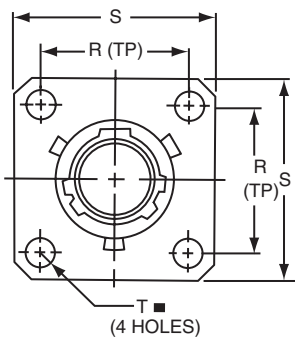
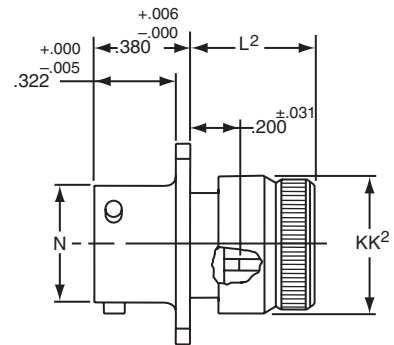


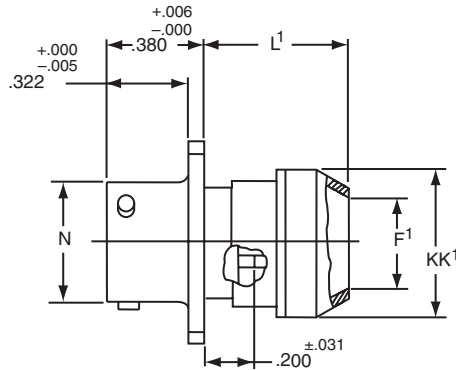
# JT00R (MS27472) – crimp wall mounting receptacle



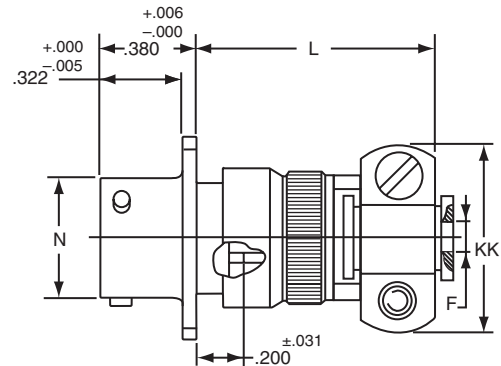
- \* JT00RT-XX-XXX(MS27472T)
- \*\* JTS00RT-XX-XXX(MS27479T)
- \*\*\* JTN00RT-XX-XXX



- \* JT00RE-XX-XXX (MS27472E)
- \*\* JTS00RE-XX-XXX(MS27479E)
- \*\*\* JTN00RE-XX-XXX



- \* JT00RP-XX-XXX(MS27472P)
- \*\* JTS00RP-XX-XXX
- \*\*\* JTN00RP-XX-XXX



- \* JT00RE-XX-XXX (SR)
- \*\* JTS00RE-XX-XXX (SR)
- \*\*\* JTN00RE-XX-XXX (SR)

⊕ .005 DIA (M)

\* To complete order number see page 49.  
 \*\* High temperature version; to complete order number see page 49.  
 \*\*\* Clear iridite finish (gold color), N<sub>2</sub>O<sub>3</sub> resistant; to complete order number see page 49.

Shell Size	F Dia. +.010 / -.025	F <sup>1</sup> Dia. ±.010	L Max.	L <sup>1</sup> Max.	L <sup>2</sup> Max.	L <sup>3</sup> Max.	N +.001 / -.005	R (TP)	S ±.016	T ±.005	V Thread UNEF Class 2A (Plated)	KK Max.	KK <sup>1</sup> Dia. Max.	KK <sup>2</sup> Dia. Max.
8	.125	.444	1.094	.609	.547	.500	.473	.594	.812	.120	.4375-28	.812	.625	.578
10	.188	.558	1.094	.609	.547	.500	.590	.719	.938	.120	.5625-24	.875	.750	.703
12	.312	.683	1.094	.609	.547	.500	.750	.812	1.031	.120	.6875-24	1.000	.875	.828
14	.375	.808	1.344	.609	.547	.500	.875	.906	1.125	.120	.8125-20	1.125	1.000	.953
16	.500	.909	1.344	.609	.547	.500	1.000	.969	1.219	.120	.9375-20	1.188	1.125	1.078
18	.625	1.034	1.344	.609	.547	.500	1.125	1.062	1.312	.120	1.0625-18	1.438	1.250	1.203
20	.625	1.159	1.344	.609	.547	.500	1.250	1.156	1.438	.120	1.1875-18	1.438	1.375	1.328
22	.750	1.284	1.469	.609	.547	.500	1.375	1.250	1.562	.120	1.3125-18	1.625	1.500	1.453
24	.800	1.409	1.469	.688	.547	.500	1.500	1.375	1.688	.147	1.4375-18	1.719	1.625	1.578

All dimensions for reference only.