

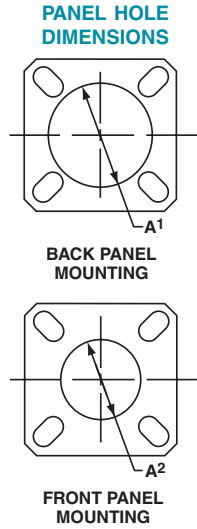
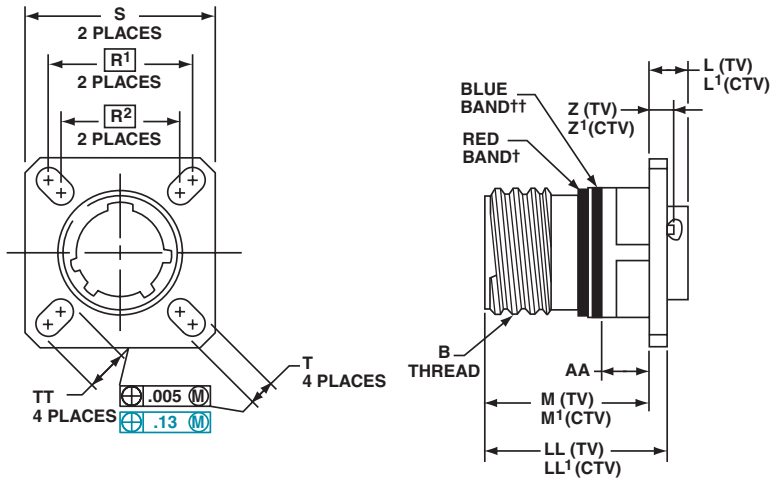
TVP02R – crimp, metal

CTVP02R – crimp, composite

box mounting receptacle

Part number reference.
See how to order, pages 43-46 to complete.

TVP02RW-XX-XXX
TVPS02RK-XX-XXX
TVPS02RF-XX-XXX
TVPS02RS-XX-XXX
CTVP02RW-XX-XXX
CTVPS02RF-XX-XXX



† Red band indicates fully mated
 †† Blue band indicates rear release contact retention system
 Consult Amphenol Aerospace for availability of composite box mount receptacles.

Shell Size	MS Shell Size Code	B Thread Class 2A 0.1P-0.3L-TS (Plated)	L Max. (TV)	L ¹ Max. (CTV)	M +.000 - .005 (TV)	M ¹ +.000 - .005 (CTV)	R ¹	R ²	S Max.	T +.008 - .006	Z Max. (TV)	Z ¹ Max. (CTV)	A ¹ Back Panel Mount	A ² Front Panel Mount	AA Max. Panel Thickness	LL +.006 - .000 (TV)	LL ¹ ±.005 (CTV)	TT +.008 - .006
9	A	.6250	.205	.250	.820	.775	.719	.594	.948	.128	.153	.198	.650	.510	.234	.905	.913	.216
11	B	.7500	.205	.250	.820	.775	.812	.719	1.043	.128	.153	.198	.800	.620	.234	.905	.913	.194
13	C	.8750	.205	.250	.820	.775	.906	.812	1.137	.128	.153	.198	.910	.740	.234	.905	.913	.194
15	D	1.0000	.205	.250	.820	.775	.969	.906	1.232	.128	.153	.198	1.040	.900	.234	.905	.913	.173
17	E	1.1875	.205	.250	.820	.775	1.062	.969	1.323	.128	.153	.198	1.210	1.010	.234	.905	.913	.194
19	F	1.2500	.205	.250	.820	.775	1.156	1.062	1.449	.128	.153	.198	1.280	1.130	.234	.905	.913	.194
21	G	1.3750	.235	.280	.790	.745	1.250	1.156	1.575	.128	.183	.228	1.410	1.250	.204	.905	.911	.194
23	H	1.5000	.235	.280	.790	.745	1.375	1.250	1.701	.154	.183	.228	1.530	1.360	.204	.905	.911	.242
25	J	1.6250	.235	.280	.790	.745	1.500	1.375	1.823	.154	.183	.228	1.660	1.470	.204	.905	.911	.242

Shell Size	MS Shell Size Code	L Max. (TV)	L ¹ Max. (CTV)	M +.00 - .13 (TV)	M ¹ +.00 - .13 (CTV)	R ¹	R ²	S Max.	T +.20 - .13	Z Max. (TV)	Z ¹ Max. (CTV)	A ¹ Back Panel Mount	A ² Front Panel Mount	AA Max.	LL +.15 - .00 (TV)	LL ¹ ±.13 (CTV)	TT +.20 - .13
9	A	5.21	6.35	20.83	19.69	18.26	15.09	24.1	3.25	3.89	5.03	16.66	13.11	5.94	22.99	23.19	5.49
11	B	5.21	6.35	20.83	19.69	20.62	18.26	26.5	3.25	3.89	5.03	20.22	15.88	5.94	22.99	23.19	4.93
13	C	5.21	6.35	20.83	19.69	23.01	20.62	28.9	3.25	3.89	5.03	23.42	19.05	5.94	22.99	23.19	4.93
15	D	5.21	6.35	20.83	19.69	24.61	23.01	31.3	3.25	3.89	5.03	26.59	23.01	5.94	22.99	23.19	4.39
17	E	5.21	6.35	20.83	19.69	26.97	24.61	33.7	3.25	3.89	5.03	30.96	25.81	5.94	22.99	23.19	4.93
19	F	5.21	6.35	20.83	19.69	29.36	26.97	36.9	3.25	3.89	5.03	32.94	28.98	5.94	22.99	23.19	4.93
21	G	5.97	7.11	20.07	18.92	31.75	29.36	40.1	3.25	4.65	5.79	36.12	32.16	5.18	22.99	23.14	4.93
23	H	5.97	7.11	20.07	18.92	34.92	31.75	43.3	3.91	4.65	5.79	39.29	34.93	5.18	22.99	23.14	6.15
25	J	5.97	7.11	20.07	18.92	38.10	34.92	46.4	3.91	4.65	5.79	42.47	37.69	5.18	22.99	23.14	6.15

All dimensions for reference only

Designates true position dimensioning