

# M28840/1 Strain Relief

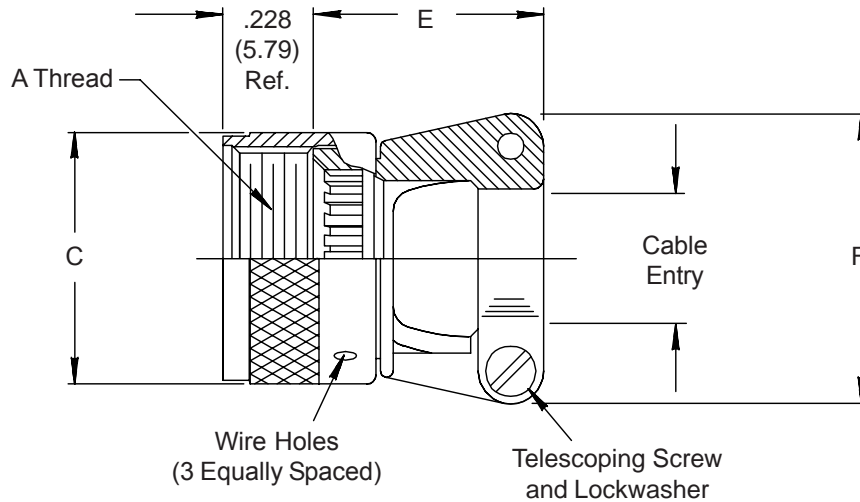


Strain  
Reliefs

Glenair Connector  
Designator G

MIL-DTL-28840

**M28840/1 J W**  
 Basic Part No. \_\_\_\_\_  
 Dash No. \_\_\_\_\_  
 Material and Finish Designator  
 W = Aluminum, Cadmium Olive  
 Drab over Electroless Nickel



**TABLE I**

Designator	Shell Size Ref.	A Thread Class 2B	C Max	E Max	F Max	Cable Entry	
						Closed	Open
A	11	.750 - 20 UNEF	1.028 (26.1)	1.091 (27.7)	.903 (22.9)	.177 (4.5)	.286 (7.3)
B	13	.875 - 20 UNEF	1.141 (29.0)	1.091 (27.7)	.977 (24.8)	.177 (4.5)	.286 (7.3)
C	15	1.000 - 20 UNEF	1.263 (32.1)	1.091 (27.7)	1.151 (29.2)	.250 (6.4)	.416 (10.6)
D	17	1.125 - 18 UNEF	1.387 (35.2)	1.206 (30.6)	1.281 (32.5)	.291 (7.4)	.476 (12.1)
E	19	1.250 - 18 UNEF	1.513 (38.4)	1.320 (33.5)	1.406 (35.7)	.348 (8.8)	.626 (15.9)
F	23	1.438 - 18 UNEF	1.703 (43.3)	1.445 (36.7)	1.576 (40.0)	.429 (10.9)	.831 (21.1)
G	25	1.562 - 18 UNEF	1.825 (46.4)	1.570 (39.9)	1.666 (42.3)	.523 (13.3)	.956 (24.3)
H	29	1.875 - 16 UN	2.143 (54.4)	1.721 (43.7)	2.046 (52.0)	.643 (16.3)	1.081 (27.5)
J	33	2.062 - 16 UNS	2.329 (59.2)	1.908 (48.5)	2.209 (56.1)	.704 (17.9)	1.187 (30.1)

1. For complete dimensions see applicable Military Specification.
2. Metric dimensions (mm) are indicated in parentheses.
3. Cable Entry is defined as the accommodation entry for the wire bundle or cable. Dimensions are not intended for inspection criteria.