

**Glenair Connector  
 Designator H**
**MIL-DTL-38999**  
**Series III & IV,**  
**EN3645**

**M85049/39 S 11 W**

Basic Part No. \_\_\_\_\_

S = Self-Locking \_\_\_\_\_  
 Use Dash for Non-Self-Locking

Shell Size \_\_\_\_\_

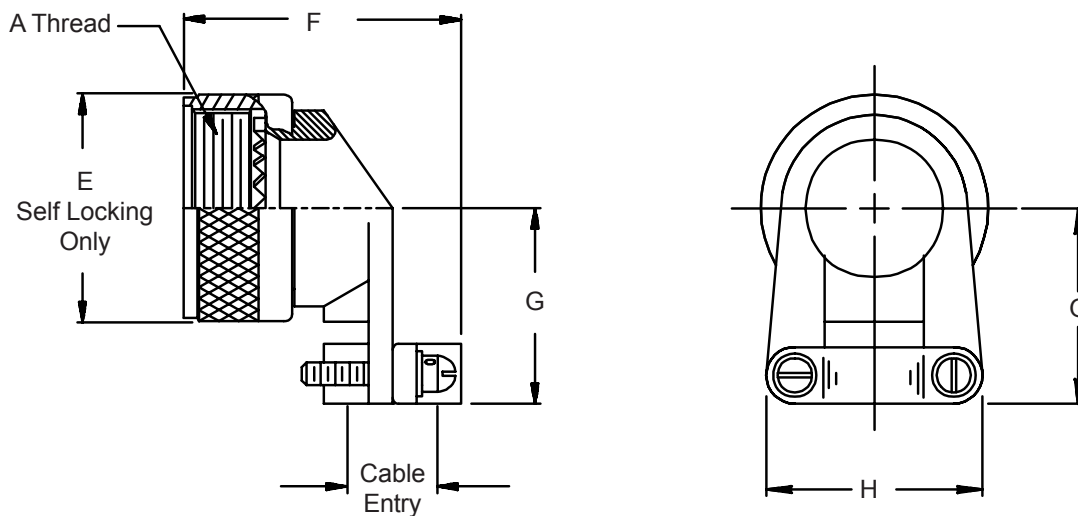
Material and Finish Designator

A = Aluminum, Black Anodize  
 (Non-Self-Locking Only)

N = Aluminum, Electroless Nickel  
 (Self-Locking Only)

S = 300 Series Steel, Passivated  
 (Self-Locking Only)

W = Aluminum, 1,000 Hour Cadmium  
 Olive Drab Over Electroless Nickel


**TABLE I**

Shell Size	Shell Size Ref.	A Thread Class 2B	E Dia Max Self-Locking Only	F Max	G Max	H Max	Cable Entry	
							Min	Max
9	A	M12 X 1 - 6H	.858 (21.8)	1.20 (30.5)	1.00 (25.4)	.85 (21.6)	.098 (2.5)	.234 (5.9)
11	B	M15 X 1 - 6H	.984 (25.0)	1.20 (30.5)	1.10 (27.9)	.90 (22.9)	.153 (3.9)	.234 (5.9)
13	C	M18 X 1 - 6H	1.157 (29.4)	1.40 (35.6)	1.10 (27.9)	1.10 (27.9)	.190 (4.8)	.328 (8.3)
15	D	M22 X 1 - 6H	1.279 (32.5)	1.45 (36.8)	1.25 (31.8)	1.15 (29.2)	.260 (6.6)	.457 (11.6)
17	E	M25 X 1 - 6H	1.406 (35.7)	1.60 (40.6)	1.30 (33.0)	1.30 (33.0)	.283 (7.2)	.614 (15.6)
19	F	M28 X 1 - 6H	1.516 (38.5)	1.70 (43.2)	1.35 (34.3)	1.50 (38.1)	.325 (8.3)	.634 (16.1)
21	G	M31 X 1 - 6H	1.642 (41.7)	1.85 (47.0)	1.60 (40.6)	1.60 (40.6)	.343 (8.7)	.698 (17.7)
23	H	M34 X 1 - 6H	1.768 (44.9)	1.95 (49.5)	1.75 (44.5)	1.70 (43.2)	.381 (9.7)	.823 (20.9)
25	J	M37 X 1 - 6H	1.889 (48.0)	2.10 (53.3)	1.85 (47.0)	1.80 (45.7)	.418 (10.6)	.853 (21.7)

1. For complete dimensions see applicable Military Specification.
2. Metric dimensions (mm) are indicated in parentheses.
3. Cable Entry is defined as the accommodation entry for the wire bundle or cable. Dimensions are not intended for inspection criteria.