

MIL-DTL-5015
MS "V" Thread
(Mates to General
Duty 'A' Endbell)

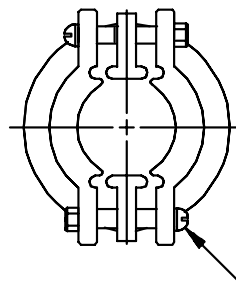
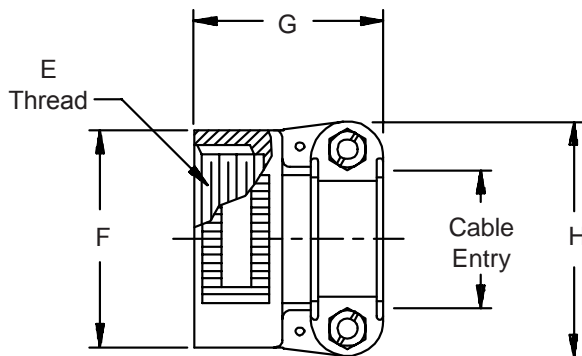
M85049/42-10D W
 Basic Part No. _____
 Dash No. _____

Material and Finish
 N = Aluminum, Electroless Nickel
 S = 300 Series Steel, Passivate
 W = Aluminum, 1,000 Hour Cadmium Olive Drab
 Over Electroless Nickel

MS3057-10D A
 Basic Part No. _____
 Dash No. _____

SUPERCEDED SPECIFICATION

Material and Finish
 A = Aluminum, Cadmium Olive Drab over
 Electroless Nickel
 C = Aluminum, Cadmium Olive Drab
 N = Aluminum, Electroless Nickel
 D = 300 Series Steel, Cadmium Plate Black
 S = 300 Series Steel, Passivate



Stainless Steel
 Clamp Saddle
 Configuration

Telescoping Screws

TABLE I

Dash No.	E Thread Class 2B	F Dia Max	G Dia		H		Cable Entry Max
			± 0.020	(.5)	± 0.020	(.5)	
4D	5/8 - 24 UNEF	.937 (23.8)	1.281 (32.5)	.937 (23.8)	.937 (23.8)	.312 (7.9)	
6D	3/4 - 20 UNEF	1.031 (26.2)	1.281 (32.5)	1.125 (28.6)	1.125 (28.6)	.437 (11.1)	
8D	7/8 - 20 UNEF	1.250 (31.8)	1.281 (32.5)	1.312 (33.3)	1.312 (33.3)	.562 (14.3)	
10D	1 - 20 UNEF	1.250 (31.8)	1.281 (32.5)	1.312 (33.3)	1.312 (33.3)	.625 (15.9)	
12D	1 3/16 - 18 UNEF	1.437 (36.5)	1.312 (33.3)	1.531 (38.9)	1.531 (38.9)	.750 (19.1)	
16D	1 7/16 - 18 UNEF	1.688 (42.9)	1.406 (35.7)	1.750 (44.5)	1.750 (44.5)	.937 (23.8)	
20D	1 3/4 - 18 UNS	2.000 (50.8)	1.563 (39.7)	2.093 (53.2)	2.093 (53.2)	1.250 (31.8)	
24D	2 - 18 UNS	2.250 (57.2)	1.625 (41.3)	2.343 (59.5)	2.343 (59.5)	1.375 (34.9)	
28D	2 1/4 - 16 UN	2.500 (63.5)	1.900 (48.3)	2.750 (69.9)	2.750 (69.9)	1.625 (41.3)	
32D	2 1/2 - 16 UN	2.750 (69.9)	1.900 (48.3)	3.000 (76.2)	3.000 (76.2)	1.875 (47.6)	

1. For complete dimensions see applicable Military Specification.
2. Metric dimensions (mm) are indicated in parentheses.
3. Cable Entry is defined as the accommodation entry for the wire bundle or cable. Dimensions are not intended for inspection criteria.