



AS85049/76
EMI/RFI Environmental Backshell

Glenair Connector
Designator F

MIL-DTL-38999 Series I & II,
40M38277, PAN 6433-1,
PATT 614, PATT 616,
NFC93422 Series HE308 &
HE309

M85049/76-10 W 01

Basic Part No. ————
Shell Size ————
Clamp Size ————
Finish ————

N = Electroless Nickel
W = 1,000 Hr. Cadmium Olive
Drab Over Electroless Nickel

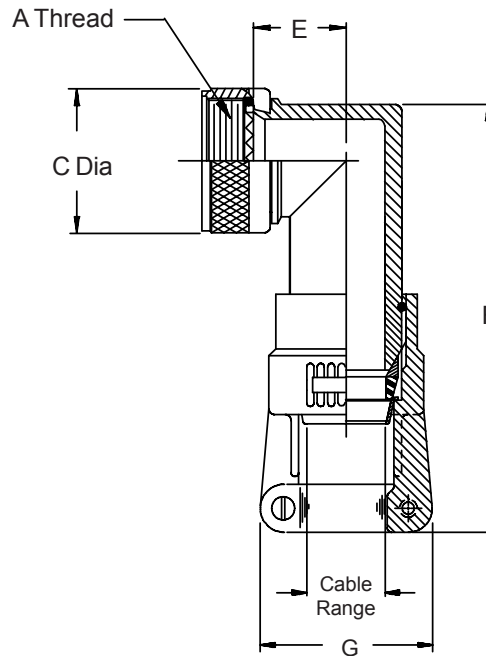


TABLE I

Shell Size	A Thread Class 2B	C Dia Max
08	.438 - 28 UNEF	.75 (19.1)
10	.562 - 24 UNEF	.85 (21.6)
12	.688 - 24 UNEF	1.00 (25.4)
14	.813 - 20 UNEF	1.15 (29.2)
16	.938 - 20 UNEF	1.25 (31.8)
18	1.063 - 18 UNEF	1.40 (35.6)
20	1.188 - 18 UNEF	1.55 (39.4)
22	1.313 - 18 UNEF	1.65 (41.9)
24	1.438 - 18 UNEF	1.85 (47.0)

TABLE II

Shell Size	Shell Size Series 1		Clamp Size	E		F	
	Ref.	Min		Max	±.156 (4.0)	±.188 (4.8)	
08	09	01	02	.532 (13.5)	3.267 (83.0)		
10	11	01	03	.627 (15.9)	3.387 (86.0)		
12	13	02	04	.642 (16.3)	3.407 (86.5)		
14	15	02	05	.719 (18.3)	3.477 (88.3)		
16	17	02	06	.774 (19.7)	3.567 (90.6)		
18	19	03	07	.854 (21.7)	3.737 (94.9)		
20	21	03	08	.899 (22.8)	3.737 (94.9)		
22	23	03	09	1.009 (25.6)	3.847 (97.7)		
24	25	04	10	1.024 (26.0)	3.847 (97.7)		

TABLE III

Clamp Size	Cable Range		G Max
	Min	Max	
01	.062 (1.6)	.125 (3.2)	.80 (20.3)
02	.125 (3.2)	.250 (6.4)	1.00 (25.4)
03	.250 (6.4)	.375 (9.5)	1.10 (27.9)
04	.375 (9.5)	.500 (12.7)	1.20 (30.5)
05	.500 (12.7)	.625 (15.9)	1.25 (31.8)
06	.625 (15.9)	.750 (19.1)	1.40 (35.6)
07	.750 (19.1)	.875 (22.2)	1.50 (38.1)
08	.875 (22.2)	1.000 (25.4)	1.65 (41.9)
09	1.000 (25.4)	1.125 (28.6)	1.75 (44.5)
10	1.125 (28.6)	1.250 (31.8)	1.90 (48.3)

1. For complete dimensions see applicable Military Specification.
2. Metric dimensions (mm) are indicated in parentheses.
3. Cable range is defined as the accommodation range for the wire bundle or cable. Dimensions shown are not intended for inspection criteria.