

Glenair Connector
Designator E

MIL-DTL-26500

MS27291-401

Basic Part No.

Dash No.

**INACTIVE FOR
NEW DESIGN OR
MODIFICATION
OF EXISTING
EQUIPMENT**

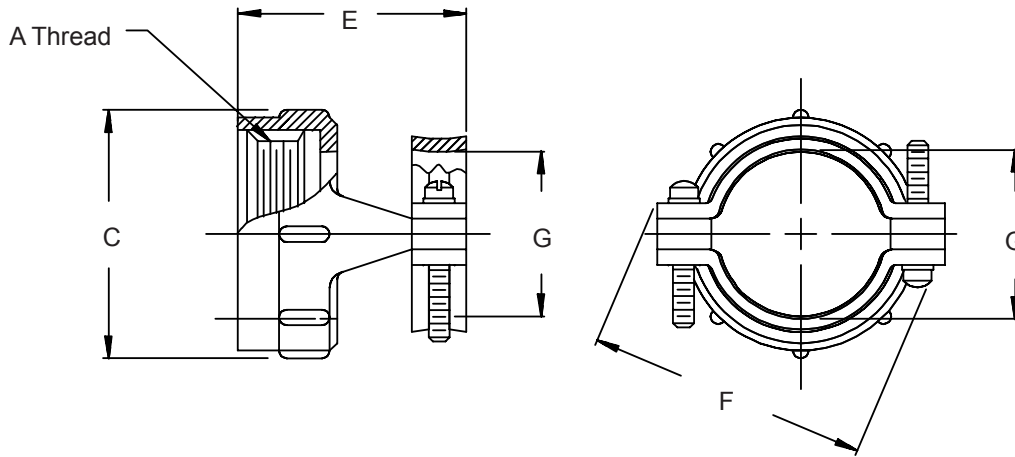


TABLE I

| Dash No. For Use With Class Connectors | | | Shell Size Ref. | A Thread Class 2B | C Max | E | | F Max | G Dia | |
|---|-----|-----------|-----------------------|----------------------|--------------|--------------|--------------|----------|----------|--|
| R and F | G | $\pm.015$ | | | | (.4) | $\pm.005$ | | (.1) | |
| 1 | 101 | 10 | .562 - 24 UNEF | .731 (18.6) | .935 (23.7) | .914 (23.2) | .270 (6.9) | | | |
| 2 | 201 | 12 | .750 - 20 UNEF | .919 (23.3) | .935 (23.7) | 1.026 (26.1) | .400 (10.2) | | | |
| 3 | 301 | 14 | .812 - 20 UNEF | .981 (24.9) | 1.170 (29.7) | 1.090 (27.7) | .460 (11.7) | | | |
| 4 | 401 | 16 | .938 - 20 UNEF | 1.106 (28.1) | 1.170 (29.7) | 1.250 (31.8) | .610 (15.5) | | | |
| 5 | 501 | 18 | 1.062 - 18 UNEF | 1.231 (31.3) | 1.170 (29.7) | 1.358 (34.5) | .690 (17.5) | | | |
| 6 | 601 | 22 | 1.312 - 18 UNEF | 1.481 (37.6) | 1.170 (29.7) | 1.604 (40.7) | .940 (23.9) | | | |
| 13 | 701 | 8 | .438 - 28 UNEF | .606 (15.4) | .935 (23.7) | .789 (20.0) | .186 (4.7) | | | |
| 14 | 801 | 20 | 1.188 - 18 UNEF | 1.356 (34.4) | 1.170 (29.7) | 1.481 (37.6) | .816 (20.7) | | | |
| 15 | 901 | 24 | 1.438 - 18 UNEF | 1.606 (40.8) | 1.170 (29.7) | 1.729 (43.9) | 1.066 (27.1) | | | |

1. For complete dimensions see applicable Military Specification.
2. Metric dimensions (mm) are indicated in parentheses.
3. Finish: Anodize.